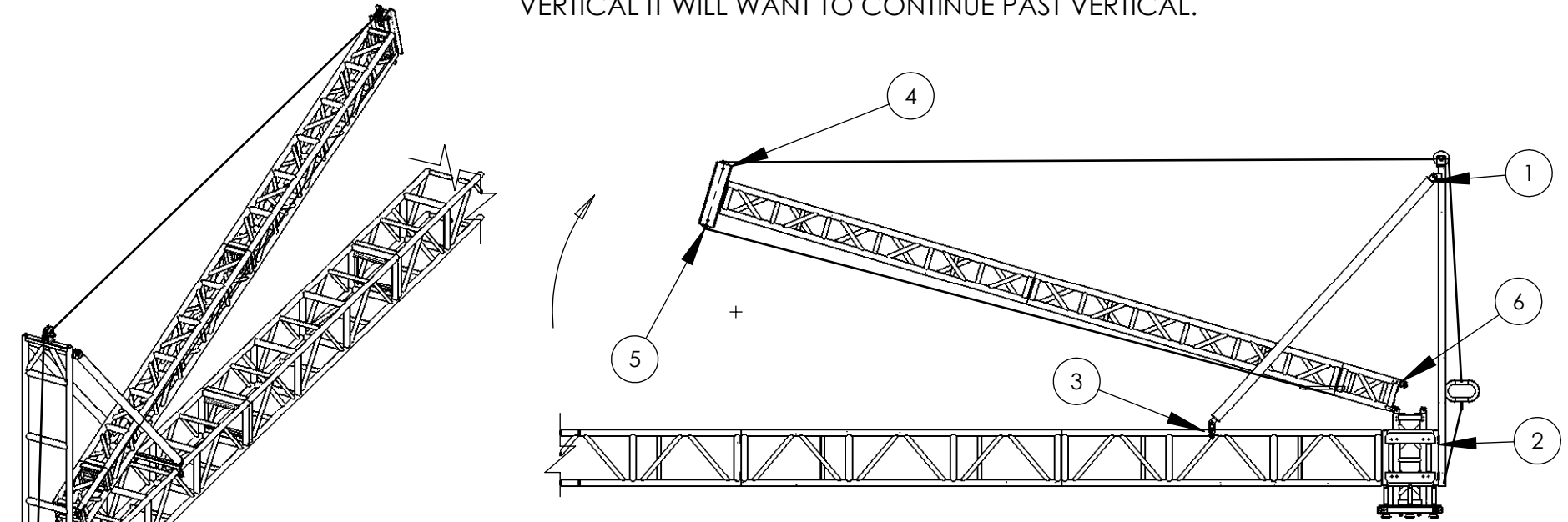




Applied Tower Lifting Ladder

The APPLIED Tower Lifting Ladder is an assembly fabricated to lift towers using the ladder and 2 main braces as leverage. This assembly will lift the tower safely when rigged properly.

PLEASE TAKE CAUTION WHILE LIFTING THE TOWER, AS THE TOWER COMES TO VERTICAL IT WILL WANT TO CONTINUE PAST VERTICAL.



DIRECTIONS FOR ASSEMBLY:

(Assemble the perimeter and tower sections per manufacturers recommendations)

STEP#1: Connect the main braces to the top of the lifting ladder with the pins provided.

STEP#2: Raise the lifting ladder and fasten to the sleeve block with grade 8 bolts supplied.

STEP#3: With the ladder vertical, connect the main braces to the perimeter truss with the truss adapter.

STEP#4: Rig the chain over the ladder pulley, over the tower head block, and secure to the top section of the hinge. (CAUTION: Take care that there are no twists in the chain.)

STEP#5: Rig a rope to top of tower to use as a reverse tension when you raise the tower. Power up motor and lift tower.

STEP#6: Pin Tower at hinge and move ladder to next tower.