



L-13 Crank-Up Lift

**Instruction &
Operation
Manual**

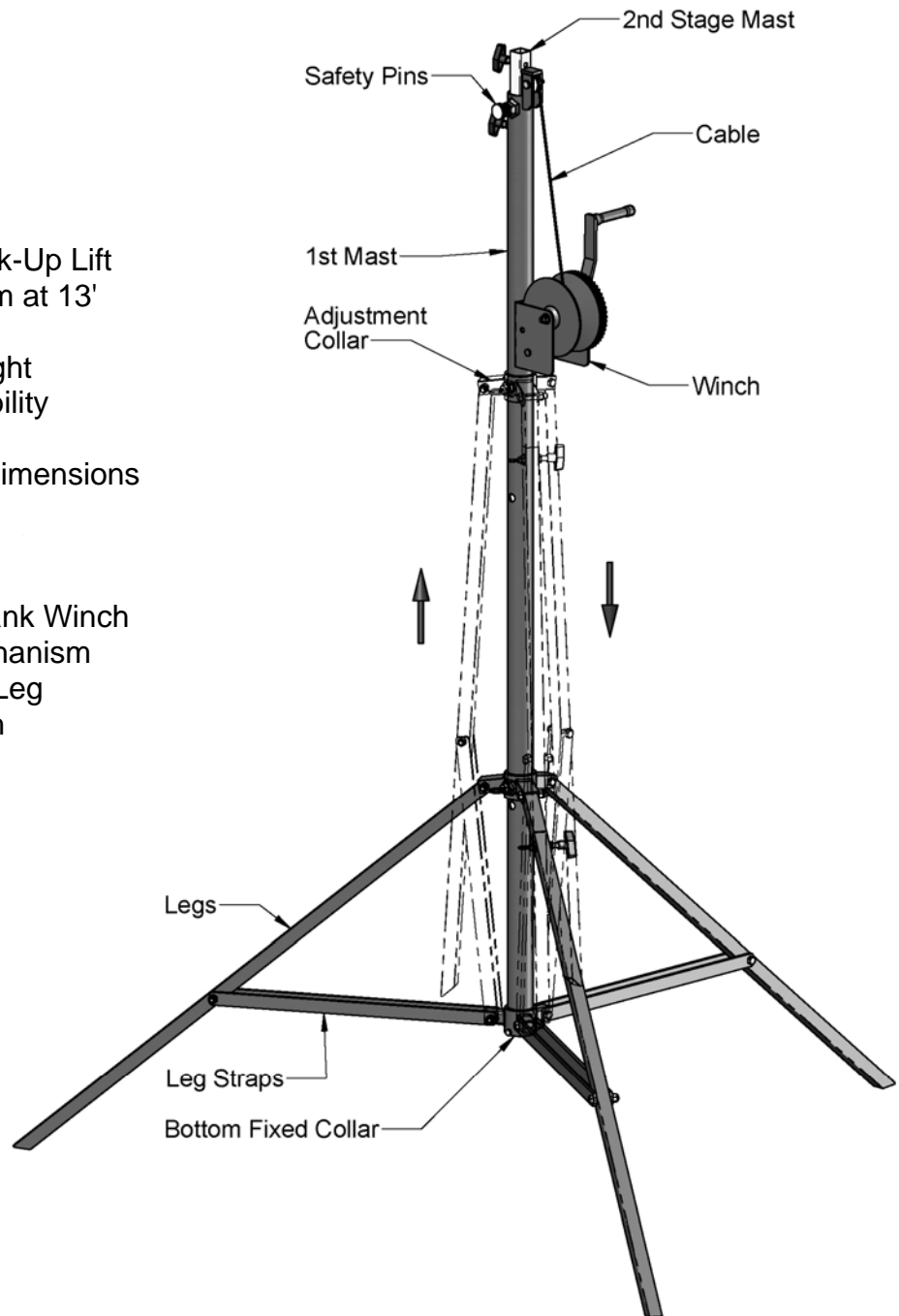
722 Blue Crab Road
800-883-0008

Newport News VA 23606
www.appliednn.com

SPECIFICATIONS

- Two Section 13' Crank-Up Lift
- 200 lb. Load Maximum at 13'
- 76" Loading Height
- 13' Maximum Lift Height
- 78" Footprint For Stability
- 76" Folded Length
- 7" x 7" x 76" Folded Dimensions
- 50 lbs. Total Weight
- Steel Cable
- Folding Tripod Legs
- Heavy Duty Hand Crank Winch
- Positive Locking Mechanism
- Adjustable Outrigger Leg
- Powder Coated Finish

Item No. 1-13-000



MAKE SURE LIFT IS VERT
MAKE SURE LOAD IS BAL

LIFTING A LOAD

- 1) Pull pin on adjustment c
Engage pin at the lower hole at base of the lift and tighten T-knob.
- 2) Pull safety pin at the top of lift and loosen T-knob, crank winch to extend the inner mast. Engage lock pin and tighten T-knob at desired height.

LOWERING A LOAD

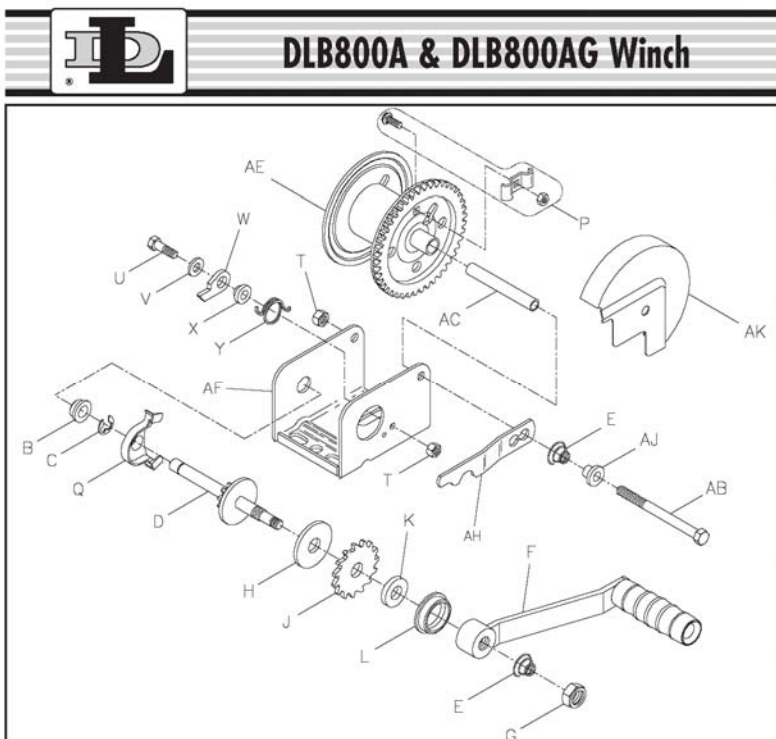
- 1) Make sure winch is tensioned, pull safety pin at top of lift, loosen T-knob and reverse crank the winch.
DO NOT PUT HANDS ON MAST AS IT LOWERS.
- 2) Re-engage safety pin and re-tighten T-knob when load is at desired height.

WINCH PARTS BREAKDOWN

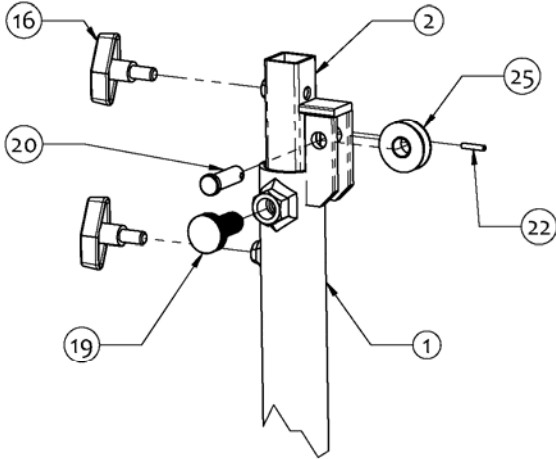
PARTS LIST

Ref	Description	Part No.	Ref	Description	Part No.
A	Base	404900*	AH	Lockout Lever (optional)	404579
A	Base – DLB 350AG	404945*	AJ	Spacer (optional)	404166
B	Bushing	204012	AK	Gear Cover (optional)	
C	"E" Ring	205116		Painted Bronze	5240346
D	Drive Shaft	306061		Plated	5240361
E	Spring	204364	AL	Base	404896*
F	Handle – 7"	5703061		Base – DLB 1200AG	404897*
F	Handle – 9-3/8"	5703103	AM	Bushing	204009
G	Nut	205033	AN	Gear Cover – "G" Series	406115
H	Pressure Plate	204362	AQ	Gear Cover (optional)	
H	Pressure Plate "G" Series	206620		Painted Bronze	5240122
J	Ratchet Wheel	404164		Plated	5240221
K	Pressure Washer	404163	AR	Spacer Washer	204360
L	Bushing	206328	AS	Reel	304754*
M	Nut	205316	AS	Reel – 1-7/8" (optional)	304768*
N	Bolt	205332	AT	Base	404891*
P	Rope Clamp Kit	5243506		Base – DLB 1500AG	404892*
Q	Gear Cover – "G" Series	406114	AU	Drive Shaft	304760
S	Reel	306075*	AV	Handle – 9-3/8"	5703103
	Reel - DLB350AG	306167		Handle – 12"	5703111
T	Locknut	204803	AW	Bolt	204804
U	Bolt	205167	AX	Reel Spacer	204808
V	Flat Washer	205055	AY	Gear Cover (optional)	
W	Pawl	404409		Painted Bronze	5240387
W	Pawl – "G" Series	404190		Plated	5240403
X	Spacer	404166	AZ	Reel	304755*
	Spacer – "G" Series	404191	BA	Base – DLB2500A	406047*
Y	Spring	204363		Base – DLB 2000AG	404899*
Y	Spring – "G" Series	204460	BB	Spacer	404434
Z	Reel Spacer	207183	BC	Bolt	205006
AB	Bolt	203161	BD	Flat Washer	205139
AC	Reel Spacer	204807	BE	Intermed. Drive Shaft	306035
AE	Reel	306062*	BF	Nut	205014
AF	Base	404893*	BH	Reel	304756*
	Base – DLB 800AG	404895*	BJ	Drive Hub (Optional)	304562
			BM	Handle w/Lock Pin (Opt)	5703426
			BN	Handle Hub (Optional)	304630
			BP	Special Nut (Optional)	404970
			BQ	"E" Ring	206162
			BR	Bushing	206163
			BS	Bolt	205335

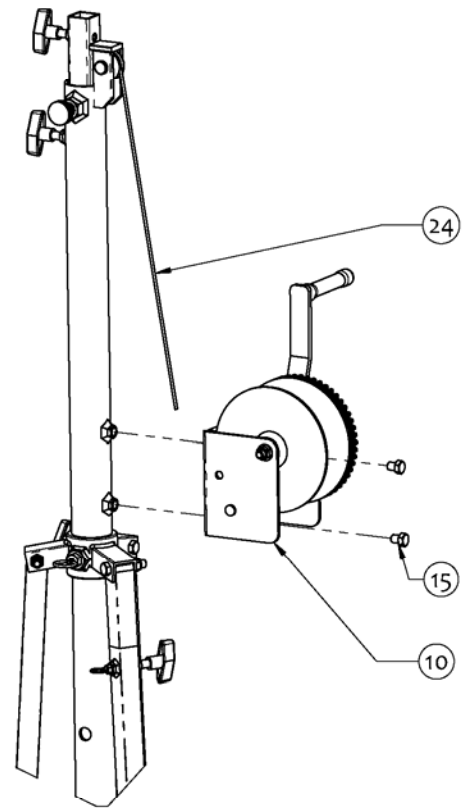
*Specify Color When Ordering



Top Section
Fastener Replacement
(fig 1.)



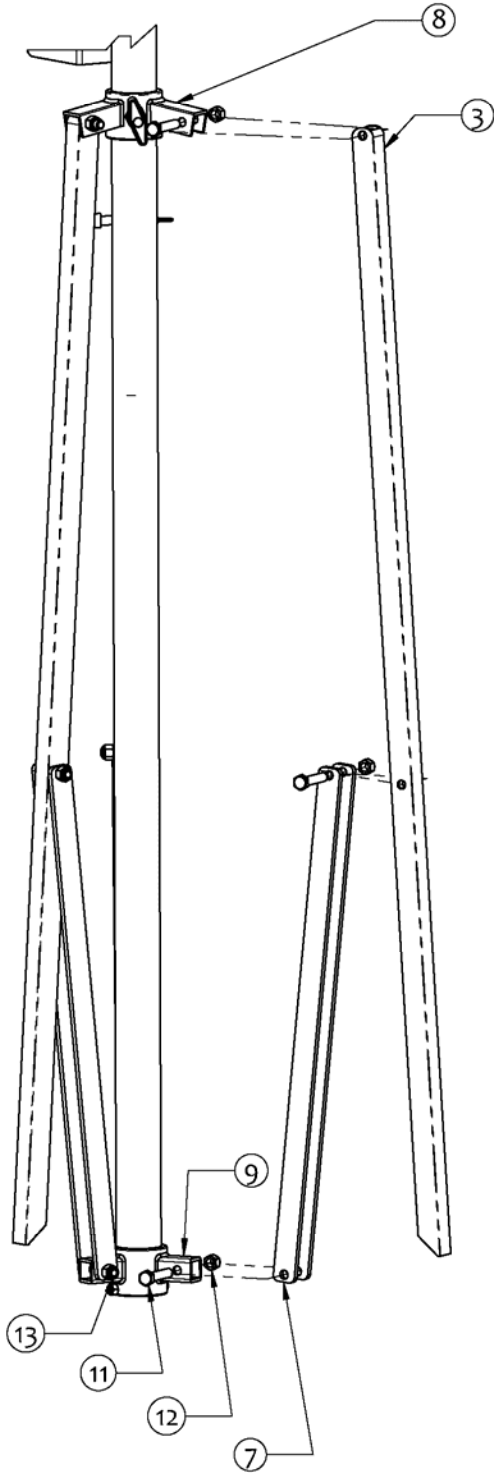
Mid - Section
Winch Assembly
(fig 2.)



L-13 REPLACEMENT PARTS LIST

ITEM NO.	PART NUMBER	SIZES	REFERENCE	QTY.
1	L-13 BODY	Mast 1 - 73"	96-702	1
2	L-13 MAST	Mast 2 - 75"	96-107	1
3	L-13 LEG - FULL SIZED	48"	96-108	2
4	L-13 LEG - SHORT SIZED	44"	96-109	1
5	L-13 LEG - EXTENSION TUBE	4"	96-110	1
6	L-13 LEG - INSERT TUBE	14"	96-111	1
7	L-13 LEG STRAPS	21-3/4"	96-408	6
8	L-13 ADJUSTMENT COLLAR - TOP SLIDING	----	96-703	1
9	L-13 COLLAR - BOTTOM FIXED	----	96-704	1
10	WINCH	MODEL DLB800A	91-504	1
11	SAE HEX CAP BOLT - ZINC	3/8-16 X 2" GRD 5	91-004	9
12	SAE HEX NUT - NYLOCK	3/8-16 THREAD	91-060	9
13	SAE HEX CAP BOLT - ZINC	5/16-18 X 3" GRD 5	91-306	1
14	SAE HEX NUT - NYLOCK	5/16-18 THREAD	91-071	1
15	SAE HEX CAP BOLT - ZINC	3/8-16 X 1/2" GRD 5	91-020	2
16	T-KNOB BLACK PLASTIC	3/8-16 THREAD	91-315	5
17	PIN - SPRING PLUNGER - RING PULL	5/8-11 X 1"	91-320	1
18	PIN - SPRING PLUNGER - RING PULL	3/8-16 X 5/8"	91-319	1
19	PIN - SPRING PLUNGER - KNURLED PULL	5/8-11 X 1-1/4"	91-318	1
20	PIN - CLEVIS	1/2" DIA X 2"	91-311	1
21	PIN - CLEVIS	5/16 DIA. X 1.5"	91-309	1
22	PIN - SLOTTED ROLL	.156 X 0.75IN PN	91-304	1
23	PIN - R CLIP	.042" DIA x 5/16"	91-338	1
24	L-13 WINCH CABLE	3/16" DIA. 7X19 GAC X 11'	91-503	1
25	PULLEY WITH BEARING	1-1/2" X 1/2" ZINC	91-023	1

Bottom Section
Leg Assembly
(fig 4.)



Bottom Section
Leg Assembly
(fig 5.)

