



L-11 Crank-Up Lift

Instruction &
Operation
Manual

722 Blue Crab Road
800-883-0008

Newport News VA 23606
www.appliednn.com

SPECIFICATIONS

- Two Section 11 ft. Crank-Up Lift
- 200 lb. Load Maximum at 6' Through 11'
- 6' Loading Height
- 11' Maximum Lift Height
- 72" Base Diameter For Stability
- 6' Collapsed Length
- 9.5" Collapsed Diameter
- 48 lbs. Total Weight
- 3/16" Steel Cable

FIELD REPLACEMENT PARTS

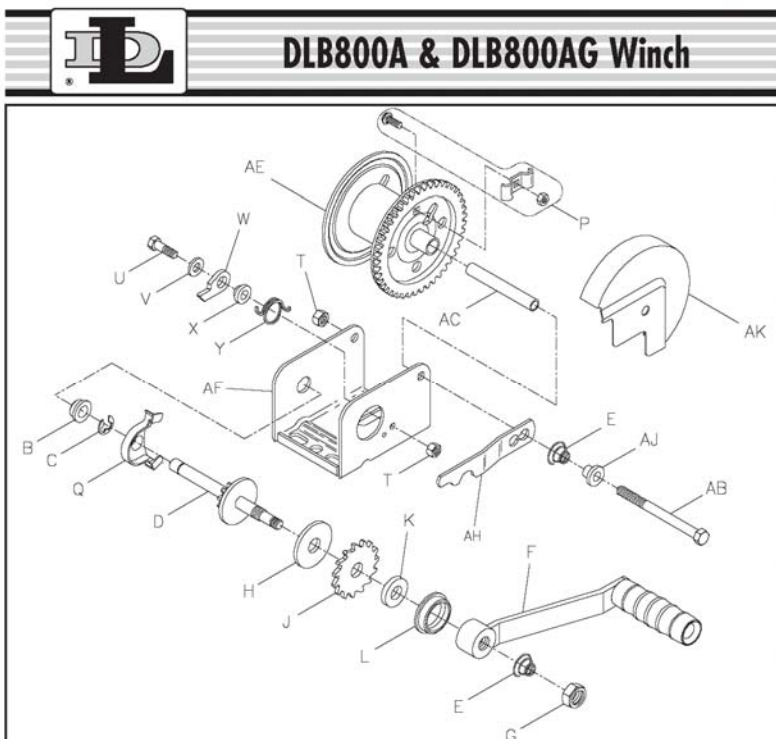
PART NUMBER	DESCRIPTION
91-504	Winch, DLB 800A
91-503	Cable, 3/16"
91-302	1-1/2" x 3/8" Leg Pin
91-303	2-1/2" x 3/8" Mast Pin

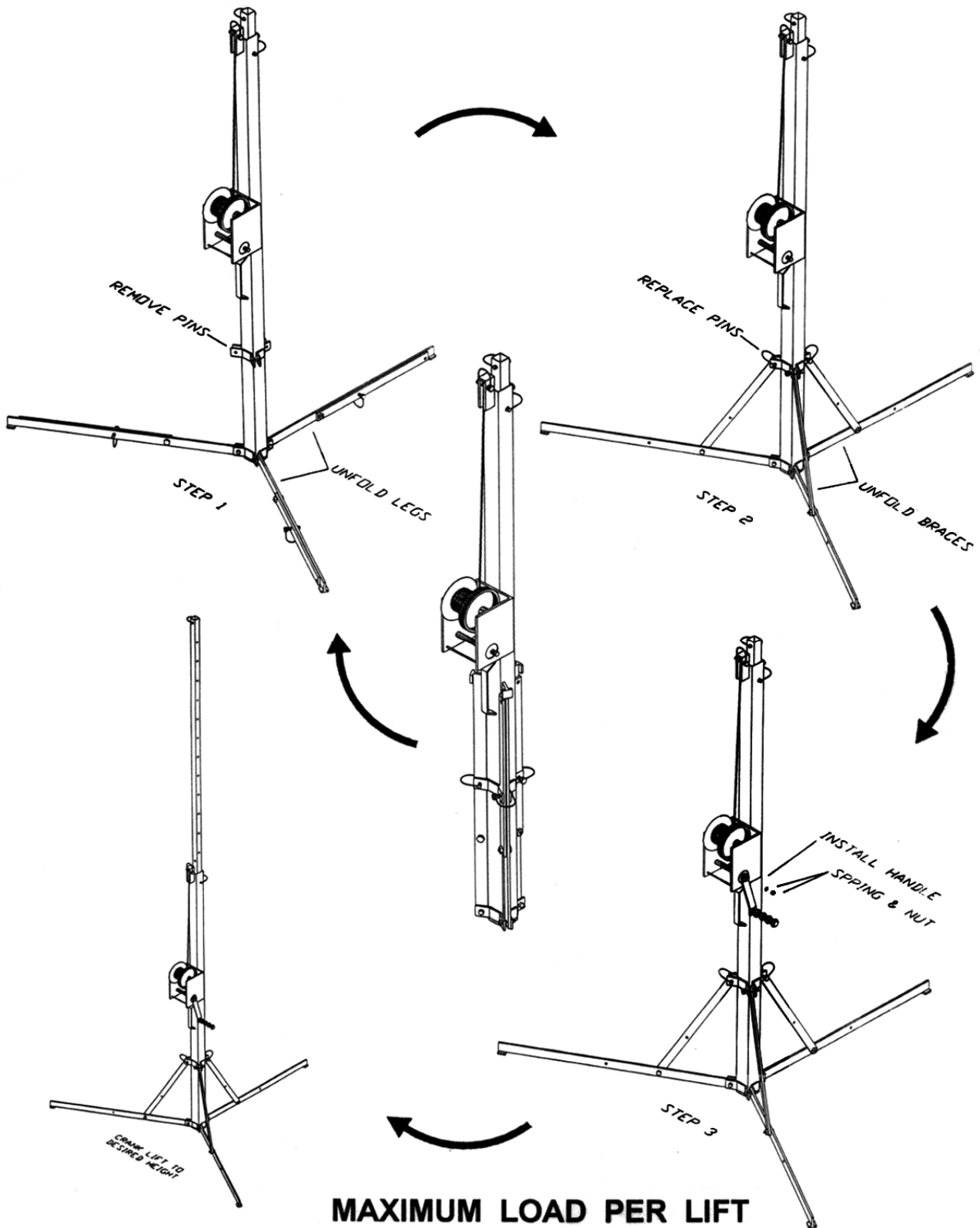
WINCH PARTS BREAKDOWN

PARTS LIST

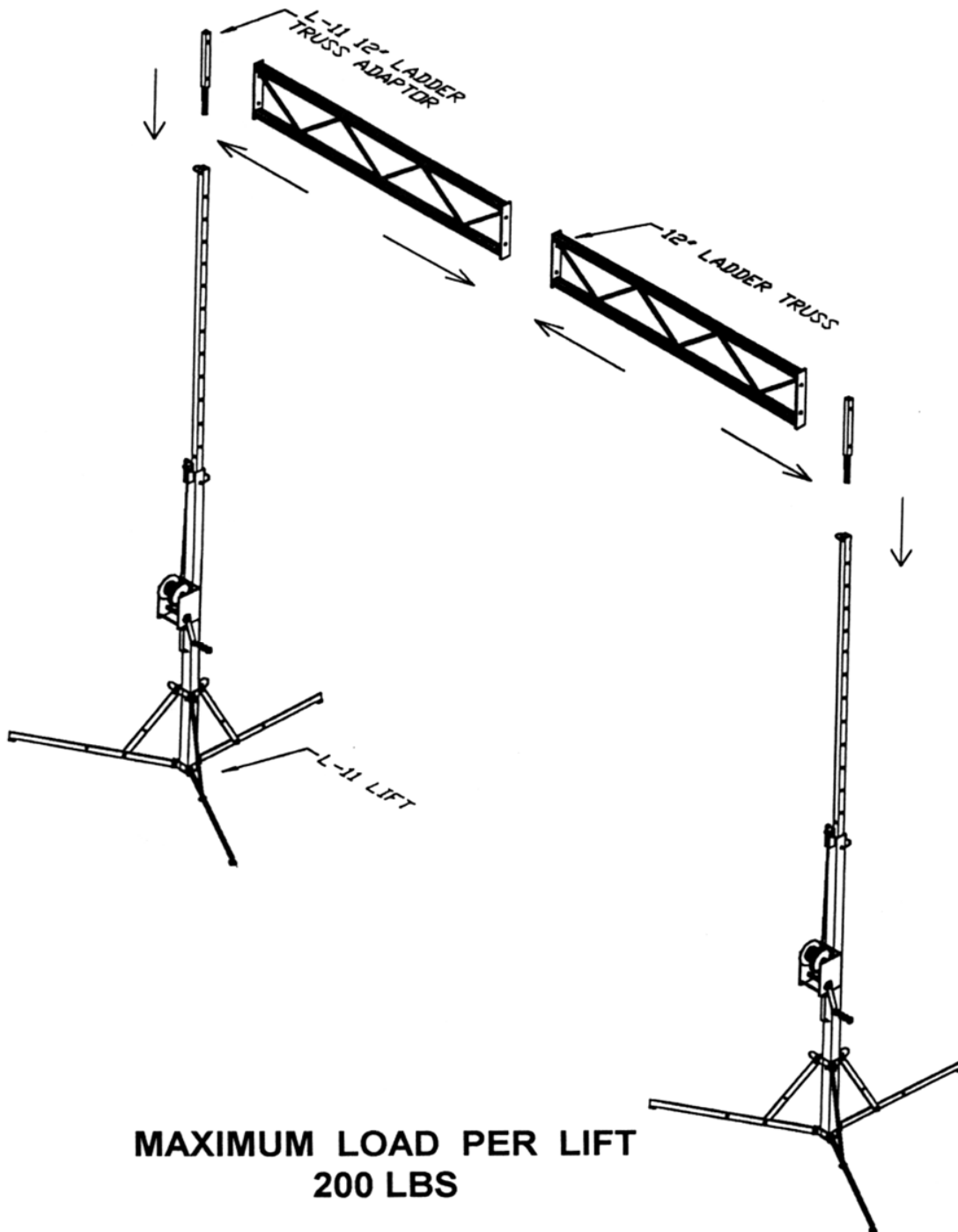
Ref	Description	Part No.	Ref	Description	Part No.
A	Base	404900*	AH	Lockout Lever (optional)	404579
A	Base – DLB 350AG	404945*	AJ	Spacer (optional)	404166
B	Bushing	204012	AK	Gear Cover (optional)	
C	"E" Ring	205116		Painted Bronze	5240346
D	Drive Shaft	306061		Plated	5240361
E	Spring	204364	AL	Base	404896*
F	Handle – 7"	5703061		Base – DLB 1200AG	404897*
F	Handle – 9-3/8"	5703103	AM	Bushing	204009
G	Nut	205033	AN	Gear Cover – "G" Series	406115
H	Pressure Plate	204362	AQ	Gear Cover (optional)	
H	Pressure Plate "G" Series	206620		Painted Bronze	5240122
J	Ratchet Wheel	404164		Plated	5240221
K	Pressure Washer	404163	AR	Spacer Washer	204360
L	Bushing	206328	AS	Reel	304754*
M	Nut	205316	AS	Reel – 1-7/8" (optional)	304768*
N	Bolt	205332	AT	Base	404891*
P	Rope Clamp Kit	5243506		Base – DLB 1500AG	404892*
Q	Gear Cover – "G" Series	406114	AU	Drive Shaft	304760
S	Reel	306075*	AV	Handle – 9-3/8"	5703103
	Reel - DLB350AG	306167		Handle – 12"	5703111
T	Locknut	204803	AW	Bolt	204804
U	Bolt	205167	AX	Reel Spacer	204808
V	Flat Washer	205055	AY	Gear Cover (optional)	
W	Pawl	404409		Painted Bronze	5240387
	Pawl – "G" Series	404190		Plated	5240403
X	Spacer	404166	AZ	Reel	304755*
	Spacer – "G" Series	404191	BA	Base – DLB2500A	406047*
Y	Spring	204363		Base – DLB 2000AG	404899*
	Spring – "G" Series	204460	BB	Spacer	404434
Z	Reel Spacer	207183	BC	Bolt	205006
AB	Bolt	203161	BD	Flat Washer	205139
AC	Reel Spacer	204807	BE	Intermed. Drive Shaft	306035
AE	Reel	306062*	BF	Nut	205014
AF	Base	404893*	BH	Reel	304756*
	Base – DLB 800AG	404895*	BJ	Drive Hub (Optional)	304562
			BM	Handle w/Lock Pin (Opt)	5703426
			BN	Handle Hub (Optional)	304630
			BP	Special Nut (Optional)	404970
			BQ	"E" Ring	206162
			BR	Bushing	206163
			BS	Bolt	205335

*Specify Color When Ordering





**MAXIMUM LOAD PER LIFT
200 LBS**



Note: Maximum load for this system with two (2) L-11 Lifts is Uniform Load of 400 lbs.