



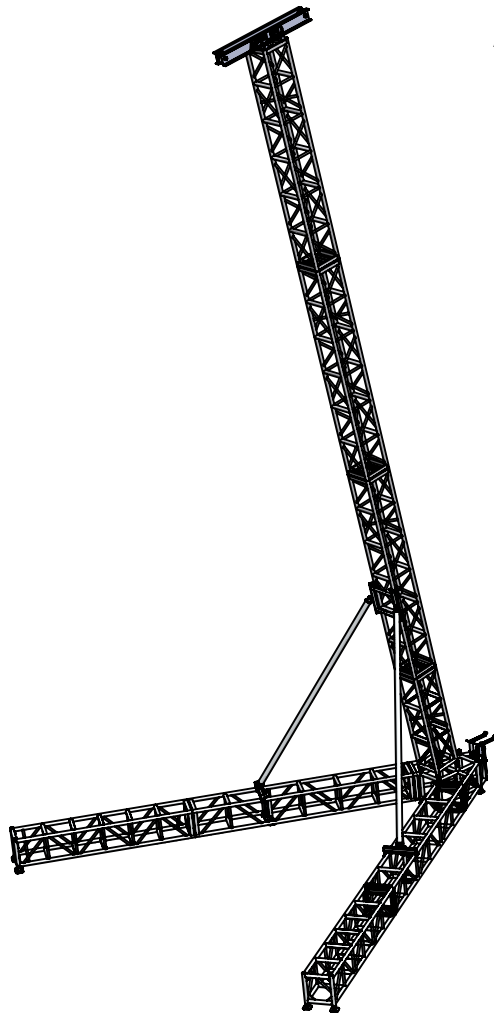
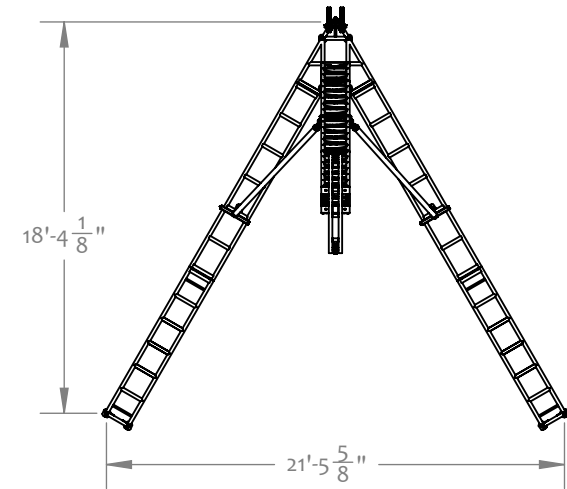
Item#: 1-35-216, LA16-35  
LINE ARRAY TOWER SYSTEM

Tower Illustration

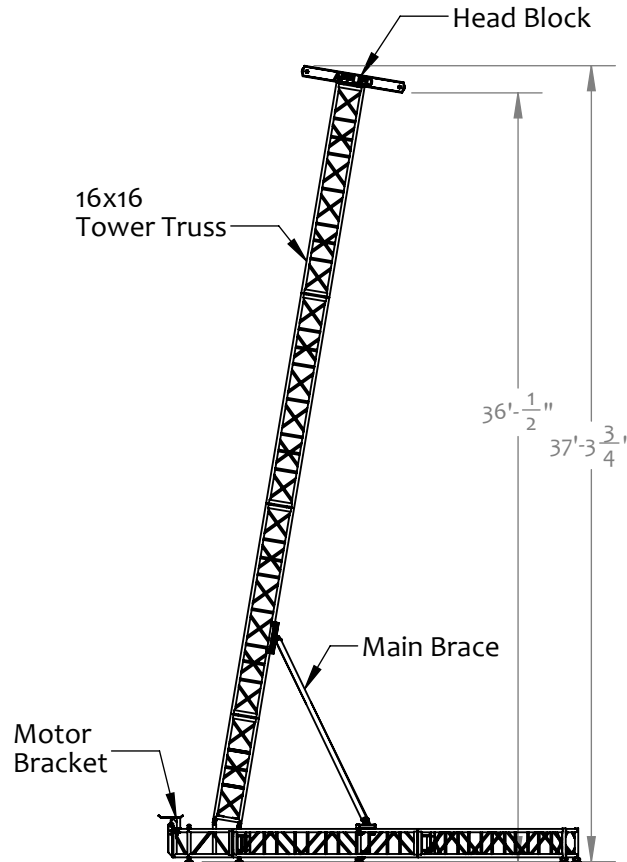
TECHNICAL SPECIFICATIONS	
MAX HEIGHT:	37'-3"
MAX TRIM HEIGHT:	36'-0"
MAX LOAD CAPACITY:	2200 LBS
TRUSS SYSTEM:	16" HD BOX
ALUM. ALLOY:	6061-T6
MIN BALLAST:	750 LB 3 PLACES
MAX WIND RESISTANCE:	90 MPH, LOWER AT 45 MPH
SYSTEM WEIGHT:	1225 LBS

Options: Motor Brackets  
ALSO COMES IN 30'HT ITEM#: 1-30-216

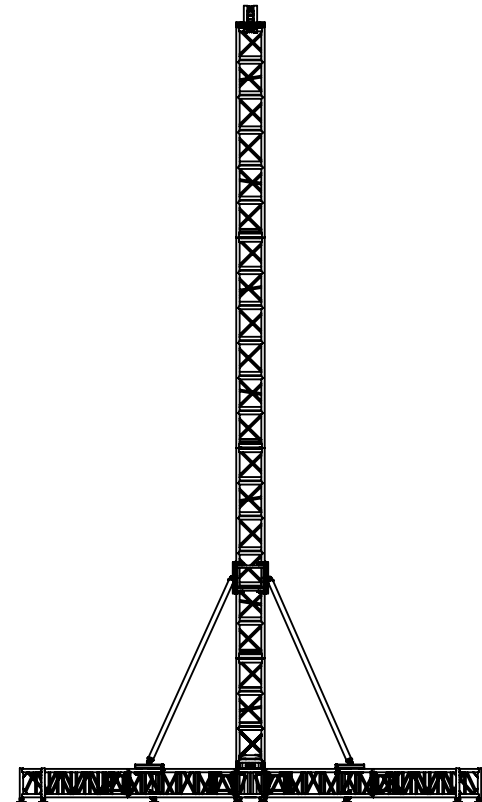
PLAN (Top View)



ISOMETRIC



SIDE ELEVATION



FRONT ELEVATION