

PRT/CLUB TRUSSING

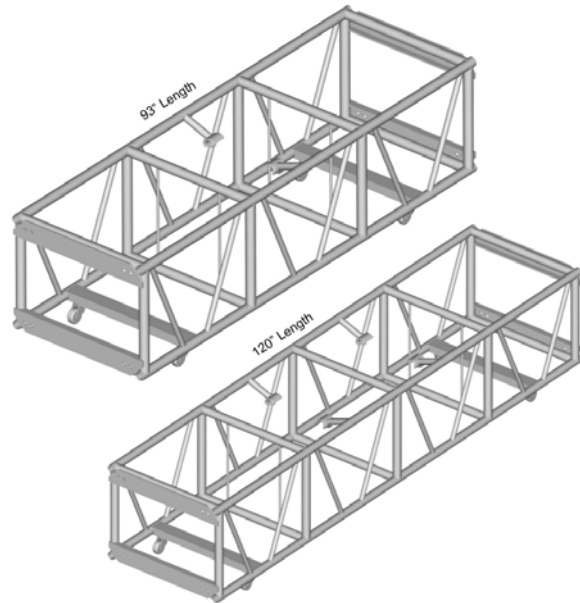
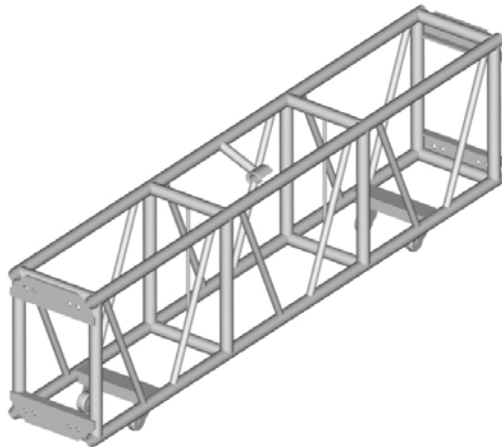
15"x23.5" and 15"x30" Single Hung, 26"x30 Double Hung

PRT/CLUB TRUSS FEATURES

1.9" OD 6061-T6 Aluminum Tube Schd #40
 1.05" OD Aluminum Bracing
 .145" Wall Thickness
 Highly Polished Aluminum Tubing
 Ready to accept Pre-Wired Lampbar w/Par 64's
Custom Lengths & Corners Available

PRT/CLUB TRUSS CORNER ADAPTERS

2-Way Corner Block
 4-Way Corner Block
 5-Way Corner Block
 45 Degree Corner
 Hinged Corner



LAMP BARS AND CASTERS SOLD SEPARATELY

15"x23.5" SH PRT/CLUB TRUSS INFO

Part Number	Dimensions	Weight
12-02-120	15" x 23.5" x 120"	67 lbs.
12-02-093	15" x 23.5" x 93"	57 lbs.
12-02-060	15" x 23.5" x 60"	45 lbs.

15"x23.5" SH PRT/CLUB TRUSS WEIGHT LOADING INFO

Length	10' Span	20' Span	30' Span	40' Span
Uniform Distribution	5000 lbs.	4000 lbs.	2600 lbs.	2000 lbs.
Center Point Load	3500 lbs.	2500 lbs.	1800 lbs.	1200 lbs.

***Weight Load Certified By Structural Engineering Firm**

15"x30" SH PRT/CLUB TRUSS INFO

Part Number	Dimensions	Weight
12-01-120	15" x 30" x 120"	77 lbs.
12-01-093	15" x 30" x 93"	67 lbs.

15"x30" SH PRT/CLUB TRUSS WEIGHT LOADING INFO

Length	15.5' Span	23.25' Span	31' Span	38.75' Span	46.5' Span
Uniform Distribution	8122 lbs.	5022 lbs.	7006 lbs.	6742 lbs.	6696 lbs.
Center Point Load	5600 lbs.	3488 lbs.	4900 lbs.	2920 lbs.	4800 lbs.

***Weight Load Certified By Structural Engineering Firm**

26"x30" DH PRT/CLUB TRUSS INFO

Part Number	Dimensions	Weight
12-03-120	26" x 30" x 120"	117 lbs.
12-03-093	26" x 30" x 93"	100 lbs.

26"x30" DH PRT/CLUB TRUSS WEIGHT LOADING INFO

Length	10' Span	20' Span	30' Span	40' Span
Uniform Distribution	6600 lbs.	5500 lbs.	3900 lbs.	3000 lbs.
Center Point Load	4400 lbs.	3200 lbs.	2900 lbs.	2600 lbs.

***Weight Load Certified By Structural Engineering Firm**